

- 1
- 2
- 3
- 4
- 5
- 6
- 7
- 8
- 9
- 10
- 11
- 12
- 13
- 14
- 15
- 16
- 17
- 18

**MATERIAL**

Aluminium, oval cross section bar, with antibacterial epoxy resin coating, RAL 9005 black colour.

**STANDARD EXECUTION**

Threaded blind holes.

**FEATURES AND APPLICATIONS**

GN 565-SMA handles have a silver molybdate-based powder coating which gives them antimicrobial properties.

The principle of action that is activated reduces the contamination of surfaces within 24 hours, so that in the end less than 1% of bacteria and less than 5% of viruses survive.

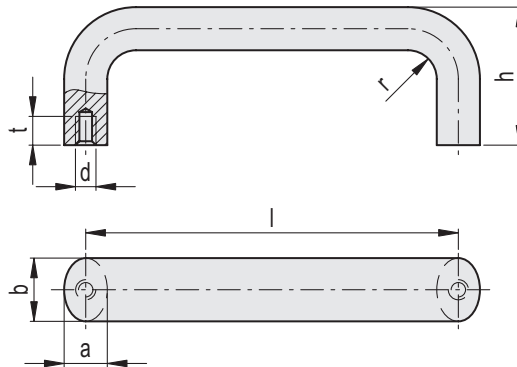
They are generally used in the healthcare sector, in public buildings such as airports, railway stations, stadiums, etc.

**SPECIAL EXECUTIONS ON REQUEST**

Lengths and colours other than the standard executions.



Conversion Table	
1 mm = 0.039 inch	
mm	inch
100	3.90
112	4.37
128	4.99
160	6.24
192	7.49
300	11.70



Code	Description	b	d	l±0.25	a	h	r	tmin	⚖️
GN.64682	GN 565-20-100-SMA	20	M6	100	13	49	13	10	87
GN.64687	GN 565-20-112-SMA	20	M6	112	13	49	13	10	93
GN.64702	GN 565-20-128-SMA	20	M6	128	13	51	13	10	114
GN.64707	GN 565-20-160-SMA	20	M6	160	13	51	13	10	121
GN.64747	GN 565-26-128-SMA	26	M8	128	17	55	17	12	189
GN.64752	GN 565-26-160-SMA	26	M8	160	17	57	17	12	210
GN.64762	GN 565-26-192-SMA	26	M8	192	17	57	17	12	245
GN.64767	GN 565-26-300-SMA	26	M8	300	17	57	17	12	345